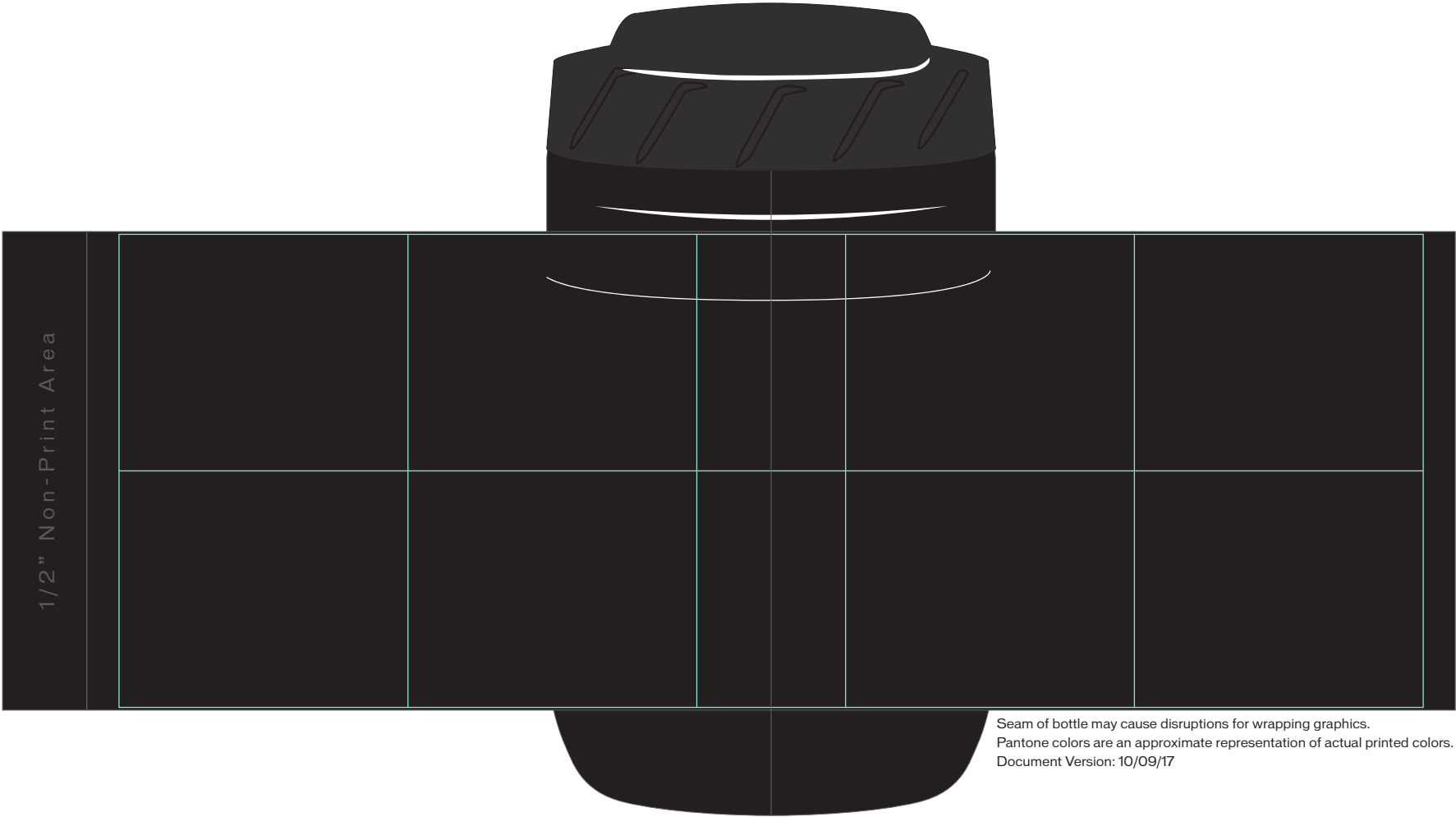


Designer Template

- Use the artwork layer for placing artwork.
- Use guidelines for artwork sizing and placement, any artwork outside of print area will be cropped or resized.
- KEG is limited to an eight color maximum on the body.
- Change bottle color on bottle layer to give a better representation of how art will appear on the bottle.



Seam of bottle may cause disruptions for wrapping graphics.
Pantone colors are an approximate representation of actual printed colors.
Document Version: 10/09/17